



HOSHIZAKI

FREEZER CABINET 2/1 GN SUF-65EG-C-L



MODEL DESIGNATION EXAMPLE:

SUF - 65 EG C L

Legs or Castors

C : Castors Ø 100 mm
L : Legs H = 130-180 mm

Exterior finish

C : Inox AISI 304
R : Inox AISI 430

Generation and refrigerant

EG : Generation 4 and HC refrigerant

Exterior dimensions

65 : Width 654 mm
135 : Width 1344 mm

Temperature range

SUR : Refrigerator
SUF : Freezer

Option codes:

L : Legs H = 130-180 mm
C : Castors Ø 100 mm

| Product code | Product name |
|--------------|--------------|
|--------------|--------------|

| | |
|--------|---------|
| 877000 | SUR-65 |
| 877010 | SUF-65 |
| 878000 | SUR-135 |
| 878010 | SUF-135 |

Product series: Snowflake GII+
Item number: 877010900



Temperature range
-22/-5°C

The Snowflake GII+ series is brought to you by Japanese and Danish engineering excellence, dedicated to simplifying the day-to-day work routines of kitchen staff all around the world.

The technology behind the performance boost of Snowflake GII+ is the tropicalised cooling system enduring up to +40°C. Additionally, the cooling agent of the new generation of Snowflake is the eco-friendly refrigerant R290, a natural gas (HC) that enhances the performance and cuts down energy consumption significantly.

The Snowflake GII+ SUF-65EG is a 1-door freezer with a net internal volume of 420 Ltr.

As a product that is designed and built to last, this freezer cabinet combines an innovative design concept, premium materials and clever extras:

- Minimum cool air lost: double insulated and extra wide door gaskets help keep the cold air in the cabinet.
- Both interior and exterior are built of stainless steel.
- Anti-tilt mechanism: moulded liners for gastronomy pans and shelves.
- Reversible door for maximum flexibility.
- Removable gaskets and cleaning-free condenser allow you to clean the device thoroughly.
- Accurate, user-friendly digital temperature controls and display.
- Automatic defrost maximises efficiency and performance.
- Fan assisted cooling for rapid temperature recovery.
- Secure lockable, self-closing door.

The refrigerant used in all Snowflake GII+ HC models is R290.

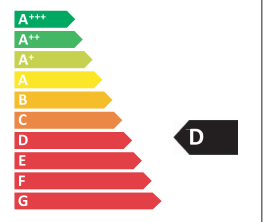
This agent is a natural gas which enhances the performance of the freezer cabinet and has, compared to other refrigerants, a minimal global warming potential.

Refrigerant / GWP:
R 290 / 3 - (0.082kg/CO2 eq 0.246kg)

Energy Efficiency Index
EEI: 60.88

Energy consumption
Ecodesign AEC:
2171 kWh/year

Climate class:
5



| MODEL | Volume, gross | Net usable volume | Maximum number of shelves | Number of shelves | Connection | Connection load (Watts) | Refrigeration capacity at -25°C | Sound level | Insulation |
|--------------|---------------|-------------------|---------------------------|-------------------|--------------|-------------------------|---------------------------------|-------------|---------------------|
| SUF-65EG-C-L | 600 ltr | 420 ltr | 22 distance of 60mm | 3 | 230 V, 50 Hz | 606 Watt | 495 Watt | 56 dB(A) | 60mm (polyurethane) |



HOSHIZAKI

Hoshizaki Europe B.V.
Burgemeester Stramanweg 101,
1101 AA Amsterdam
The Netherlands

T: +31 (0)20 691 8499
F: +31 (0)20 691 8768
sales@hoshizaki.nl
www.hoshizaki-europe.com

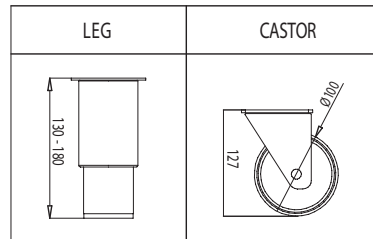
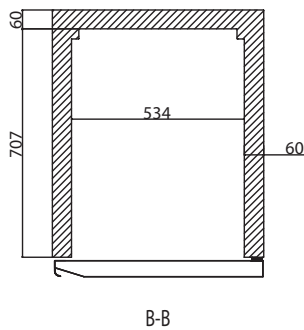
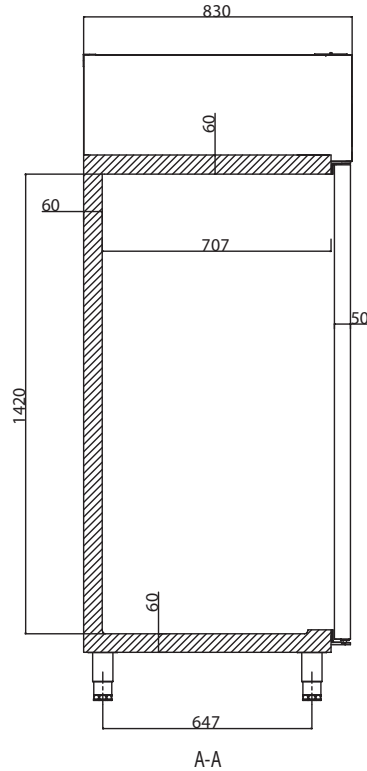
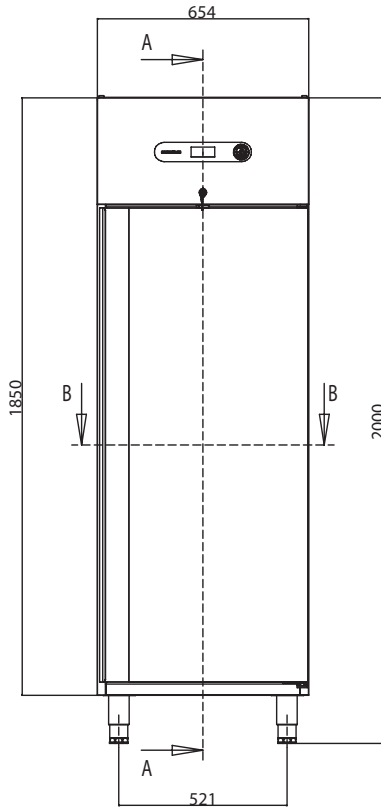


HOSHIZAKI

Product series: Snowflake GII+
Item number: 877010900

FREEZER CABINET 2/1 GN SUF-65EG-C-L

Temperature range
-22/-5°C



| MODEL | Net dimensions W x D x H | Net weight | Packaged dimensions W x D x H | Packaged weight | Packaged volume |
|--------------|-----------------------------|------------|----------------------------------|-----------------|---------------------|
| SUF-65EG-C-L | 654 x 830 x 1980-2030mm | 128kg | 704 x 880 x 2150mm | 133kg | 1.33 m ³ |



Hoshizaki Belgium:
Hoshizaki Denmark:
Hoshizaki Deutschland:
Hoshizaki France:
Hoshizaki Iberia:
Hoshizaki Italia:
Hoshizaki Middle East:

info@hoshizaki.be
info@hoshizaki.dk
info@hoshizaki.de
info@hoshizaki.fr
info@hoshizaki.es
info@hoshizaki.it
sales@hoshizaki.ae

Hoshizaki Netherlands:
Hoshizaki Norge:
Hoshizaki United Kingdom:
Hoshizaki Sverige:
Export Countries:
Other countries:

info@hoshizaki.nl
info@hoshizaki.no
uksales@hoshizaki.uk
info@hoshizaki.se
sales@hoshizaki.nl
sales@hoshizaki.nl

www.hoshizaki-europe.com